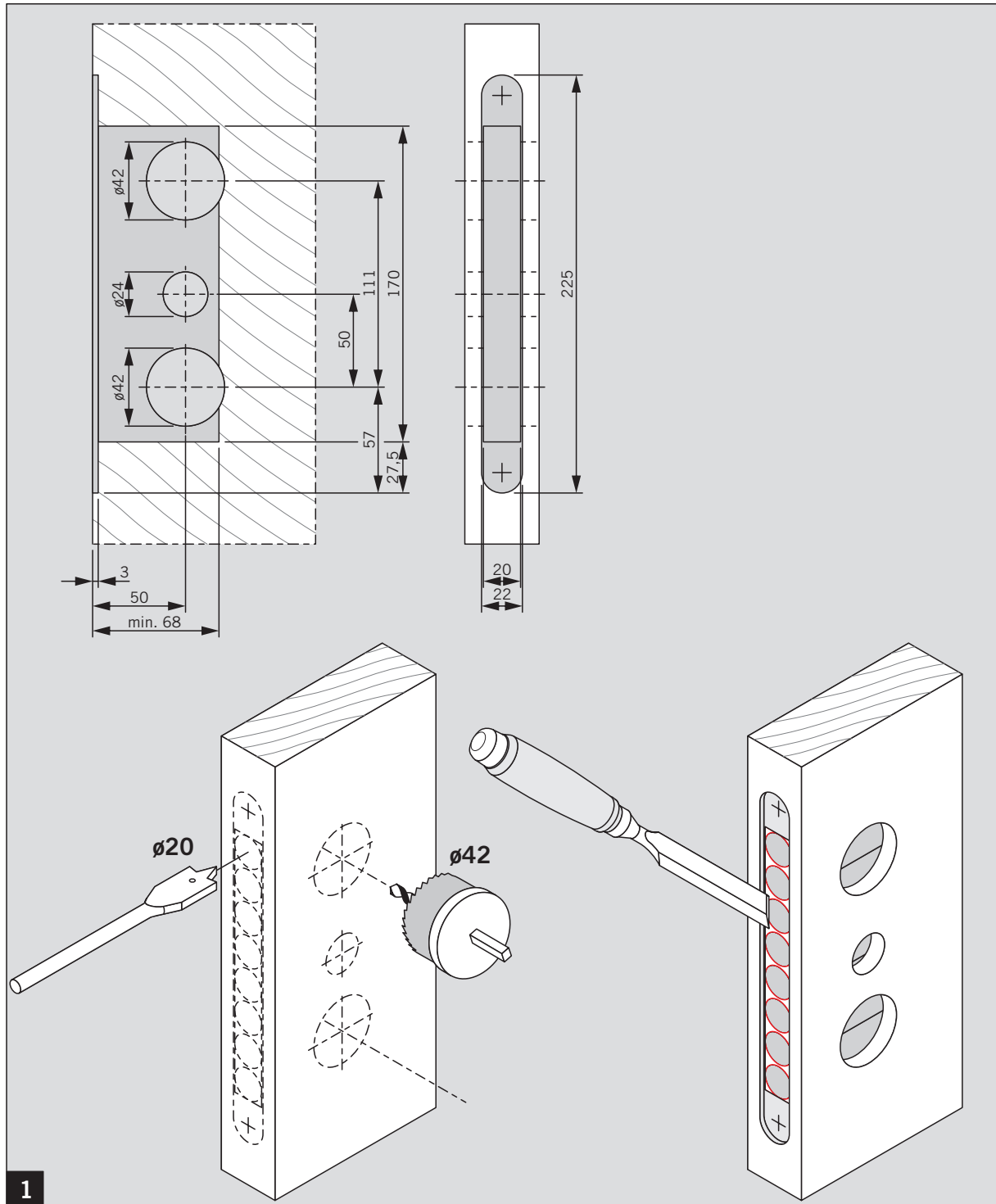
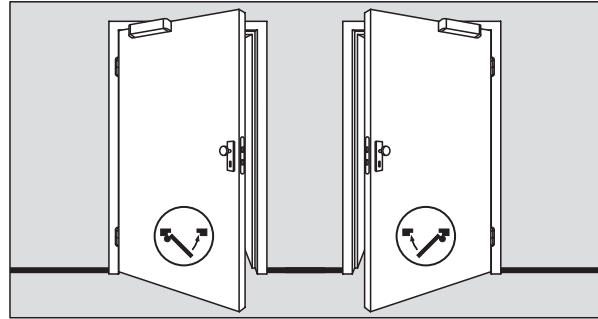
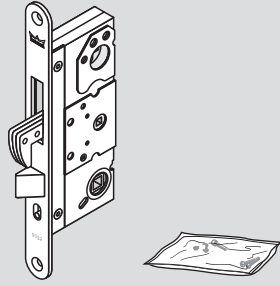
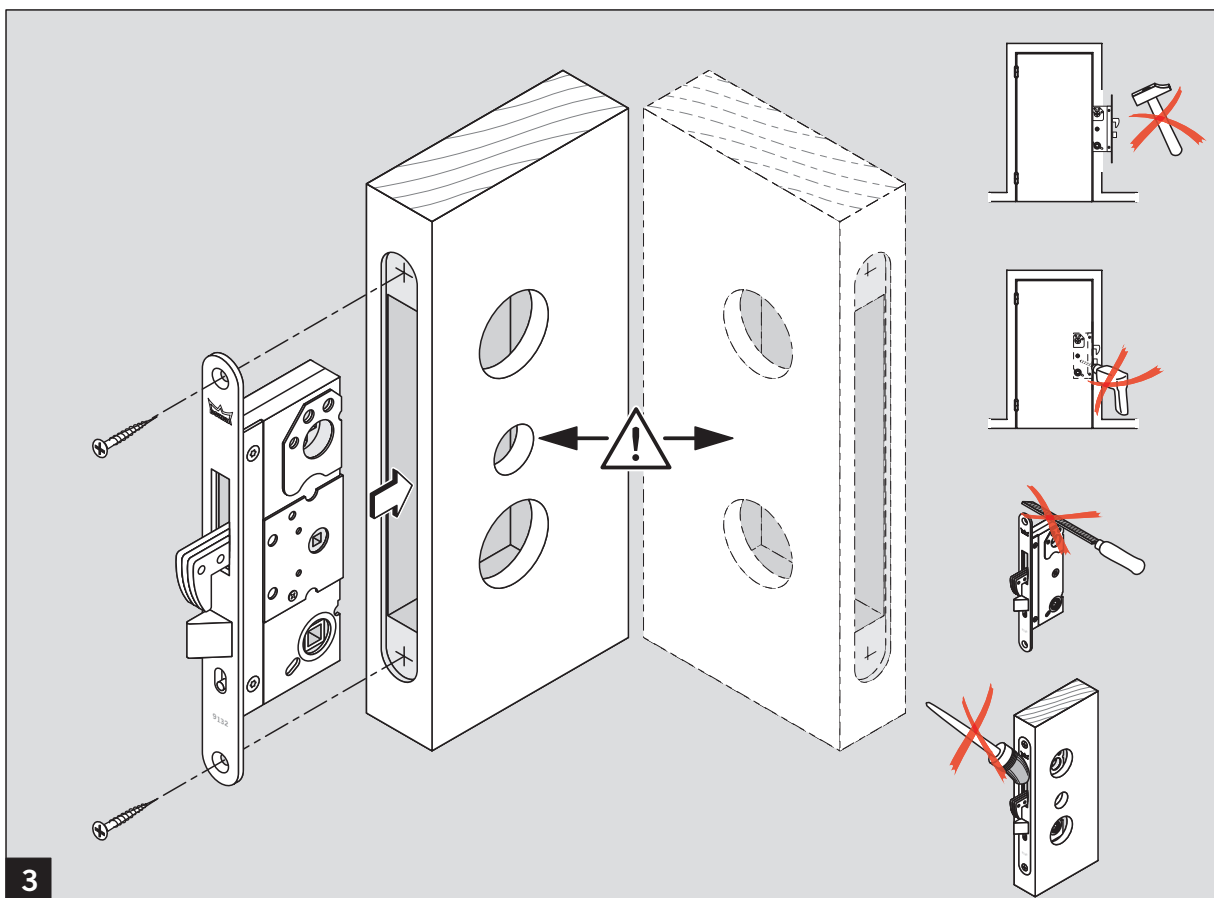
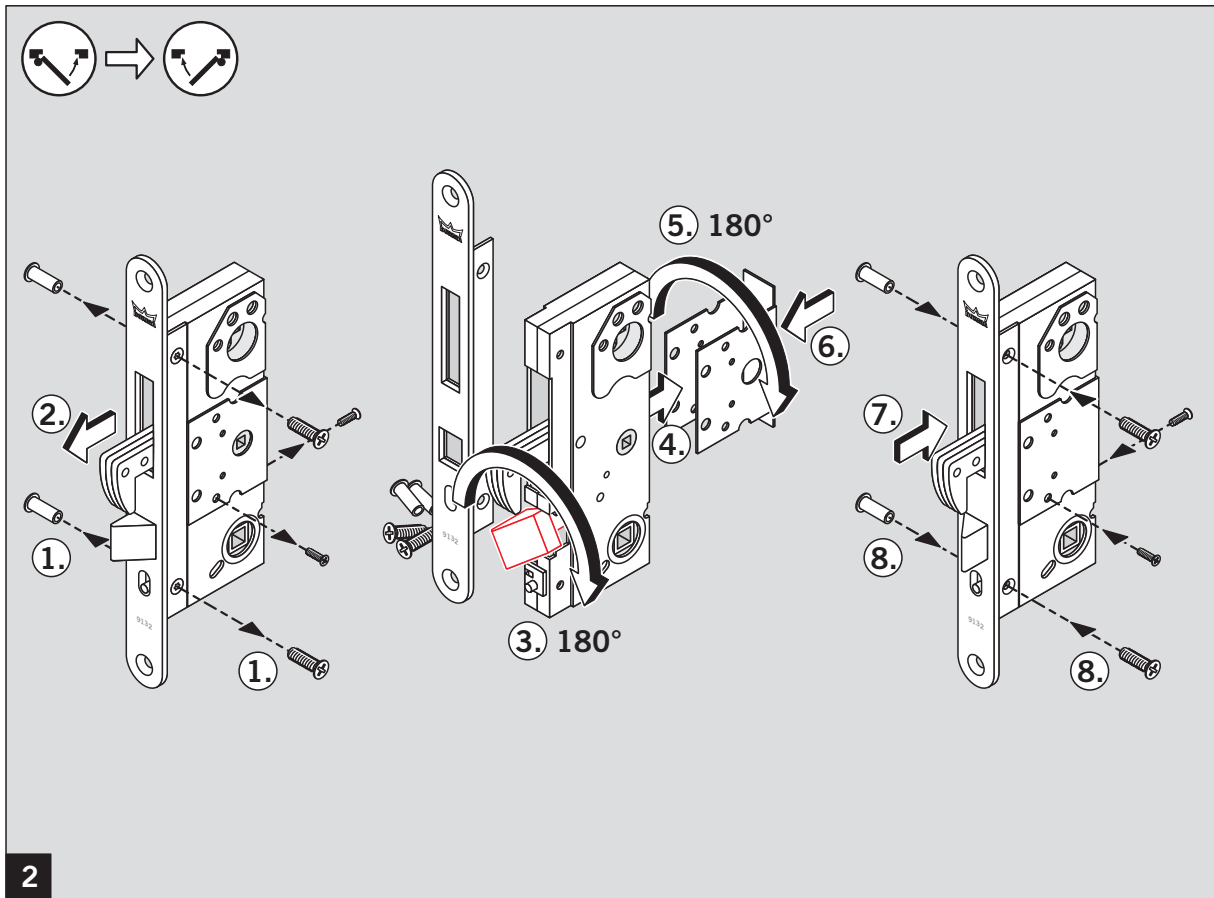
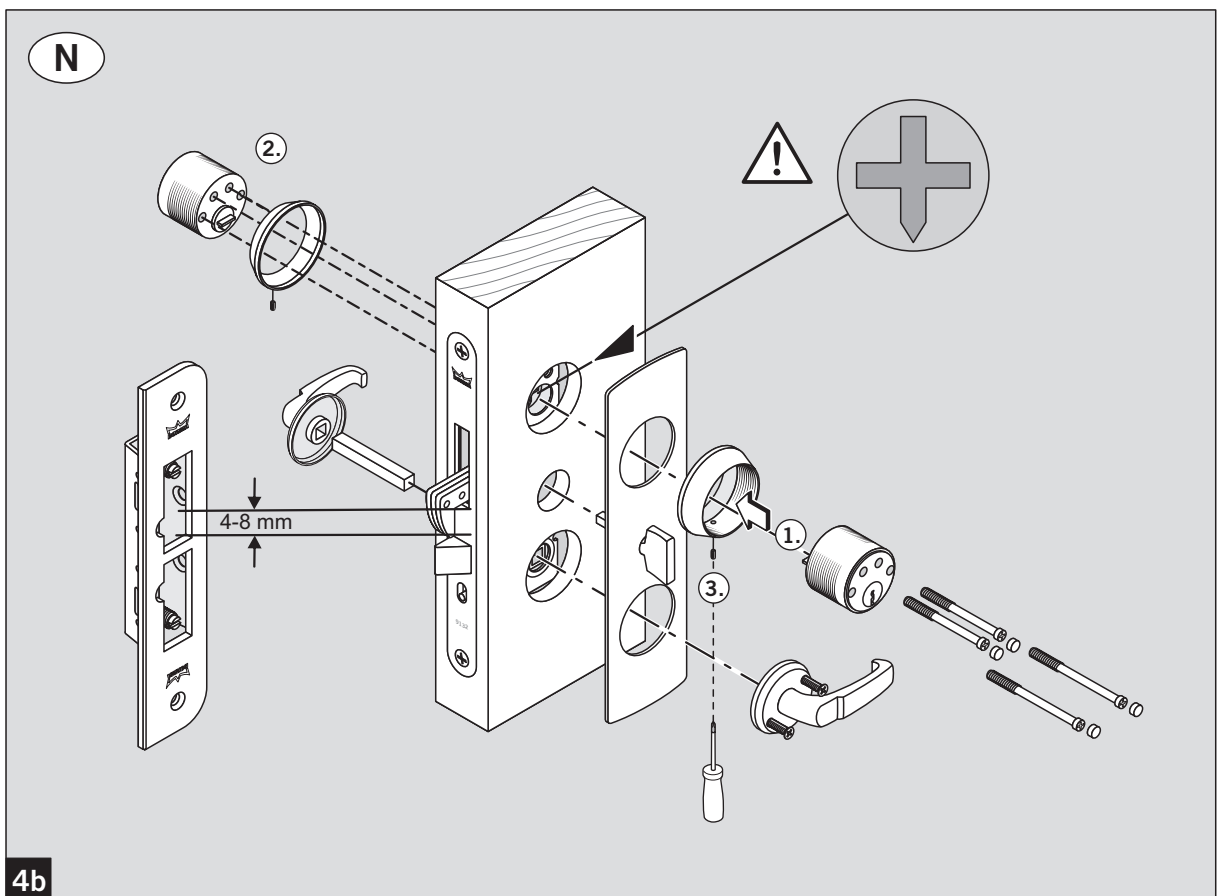
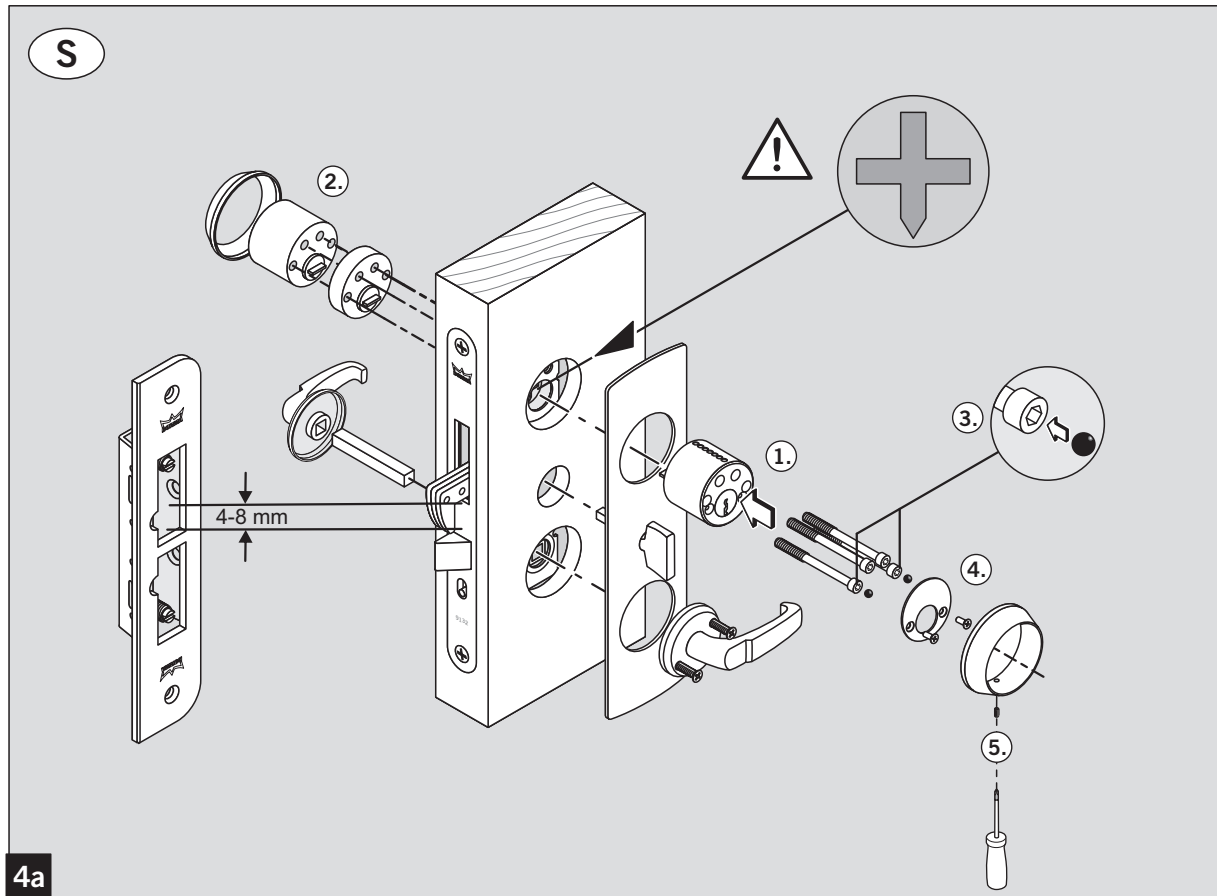


WN 057578-45532 08/09
 30.055 10-3
 Art.-No. 703000007103

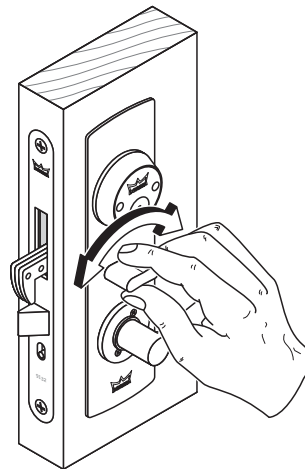
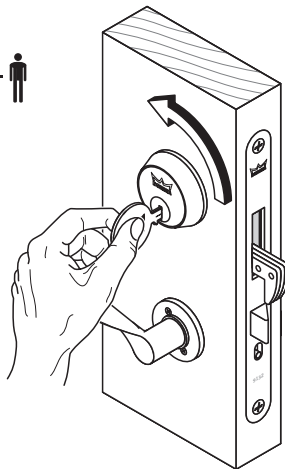
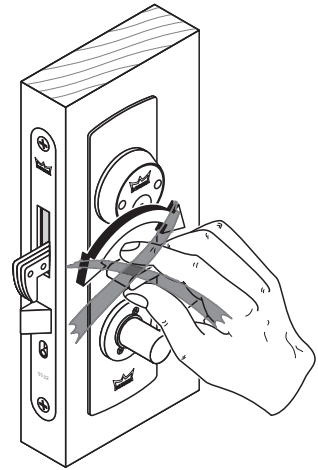
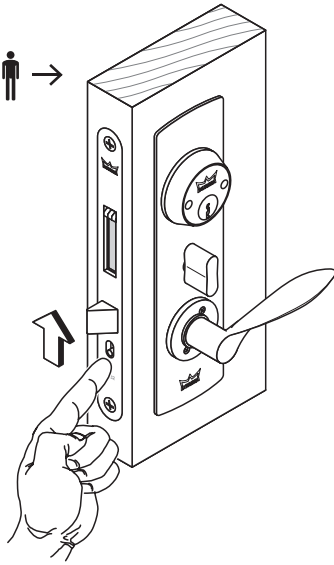
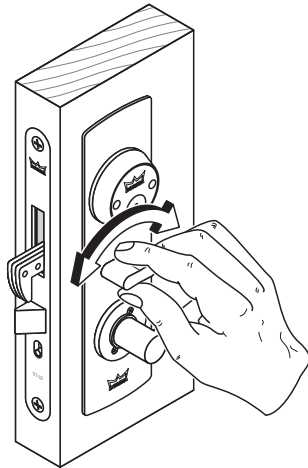
**DL 9132
 Duo**







How to use DORMA Duo



Änderungen vorbehalten
Subject to change without notice